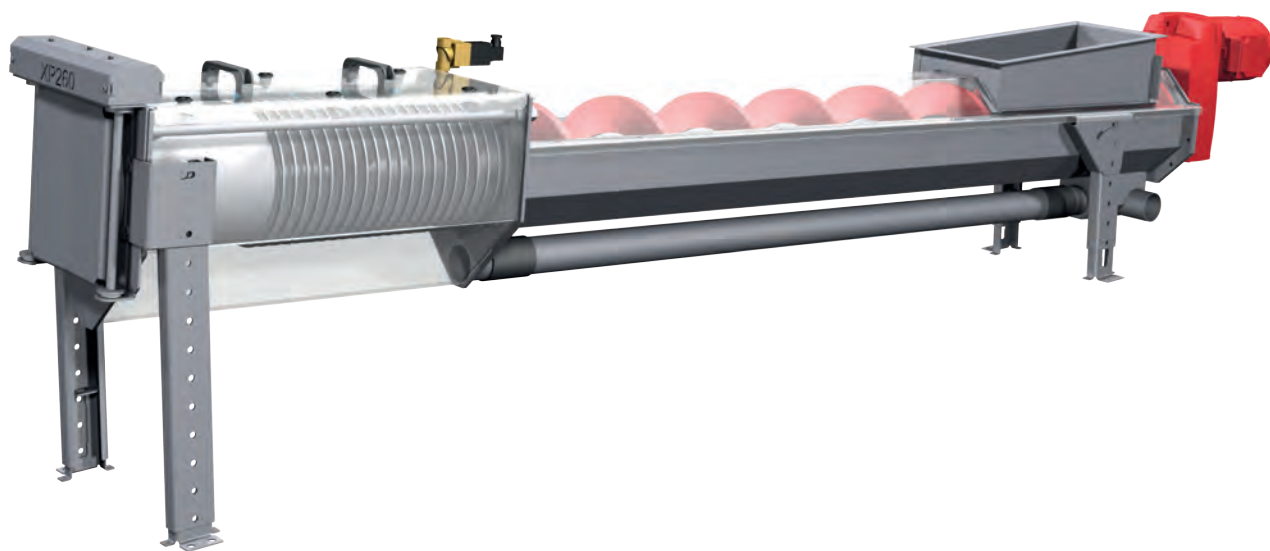


X PRESS

Spiral Press in Stainless Steel



Advantages and features

- Transportation and dewatering
- Compact and cost effective
- Robust and flexible design
- Handles wet, stringy, sticky materials
- Simple and reliable
- Very tolerant of varying flow volumes
- Stainless steel
- Fully enclosed, hygienic

X PRESS SPIRAL PRESS

The Meva X Press is a reinforced X Conveyor with a compaction and dewatering unit at the discharge end. Between the dewatering zone and the back pressure doors, there is a press zone where a plug is formed. Transportation and dewatering in one compact, affordable unit.

Wet solids are conveyed by a shaftless one-bearing spiral into the press zone, which is a barrel shaped basket made from wedge wire. Very strong and with a large perforated area, it is optimal for dewatering.

Counter pressure is controlled by back pressure inducing tension outlet doors. These are controlled by gas springs optimized for maximum dewatering. As the solids are pushed into the press zone, they are held back by the outlet doors, causing a counter pressure.

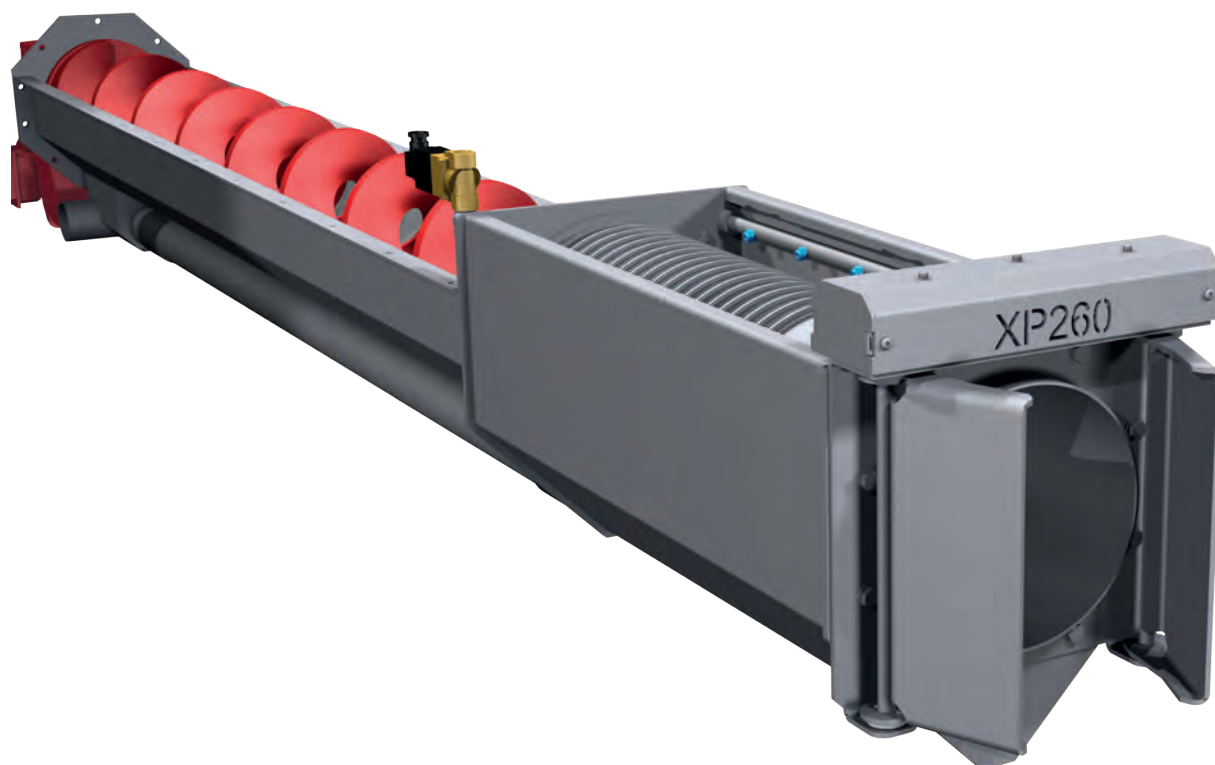
As pressure increase, a plug will form at the discharge and free liquids are squeezed through the basket to the drain. This continues until the plug is solid enough to bypass the outlet doors. Since the conveying part of the press is identical with the X Conveyor it shares the same design innovations and benefits.

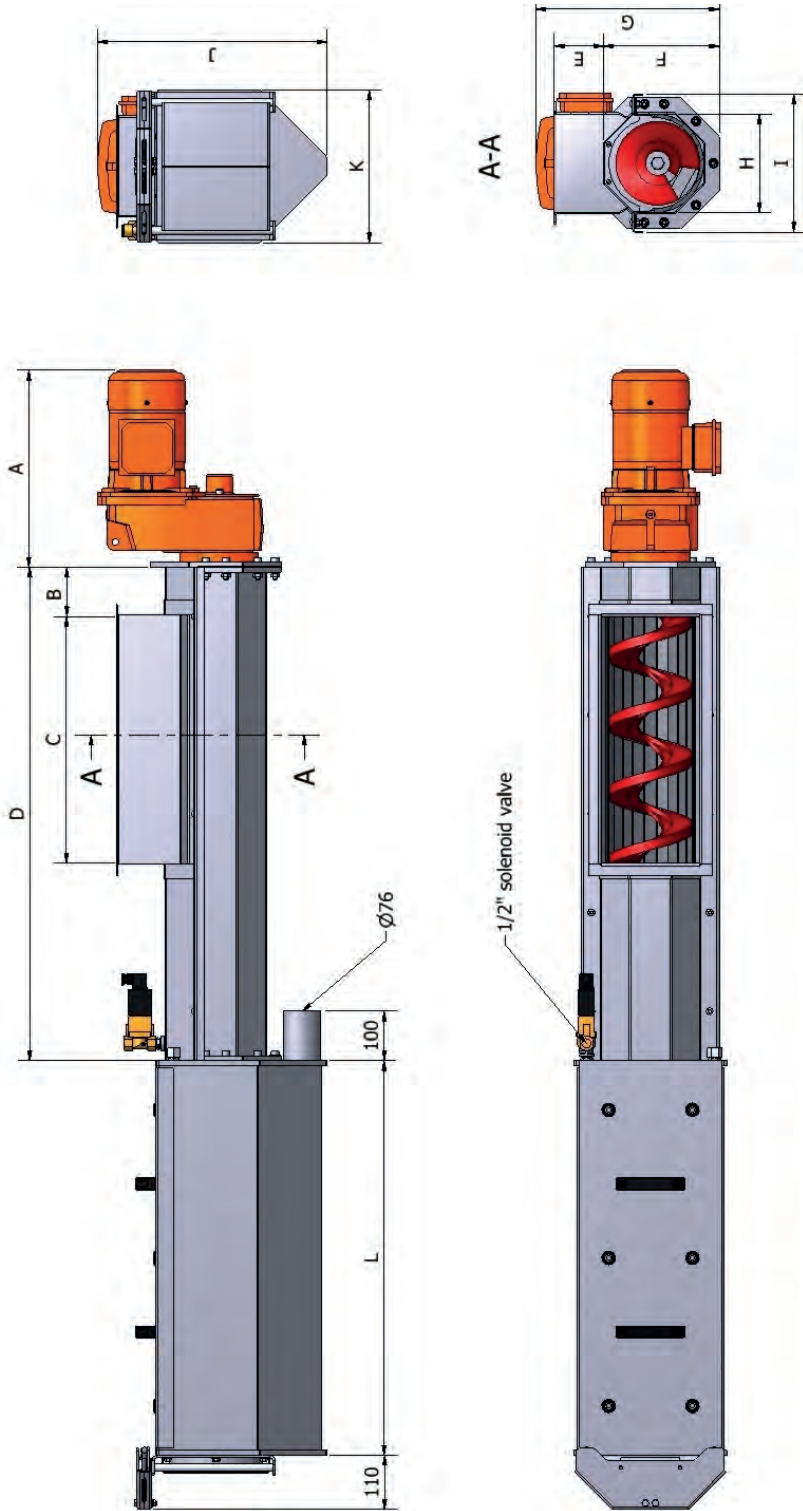
- Up to 25° inclination
- Extremely low inlet height
- Bolt-on supports and inlets, no welding
- Bolt on wear liners in HDPE1000
- Sealed hygienic design.

Applications

- | | |
|------------|--|
| Water | - screenings dewatering |
| Paper | - rejects dewatering |
| Industrial | - beet tails dewatering - vegetable waste dewatering - and many more |







| Model | A | B | C | D | E | F | G | H | I | J | K | L |
|-------------|--------|------------|---|---|-------------------|--------|--------|--------|--------|--------|--------|---------|
| X-PRESS 200 | 400 mm | Min 100 mm | | | 100 mm (standard) | 235 mm | 375 mm | 200 mm | 280 mm | 465 mm | 310 mm | 800 mm |
| X-PRESS 260 | 460 mm | Min 100 mm | | | 100 mm (standard) | 295 mm | 440 mm | 260 mm | 340 mm | 530 mm | 370 mm | 800 mm |
| X-PRESS 320 | 460 mm | Min 100 mm | | | 100 mm (standard) | 355 mm | 470 mm | 320 mm | 400 mm | 560 mm | 430 mm | 800 mm |
| X-PRESS 360 | 460 mm | Min 100 mm | | | 100 mm (standard) | 405 mm | 500 mm | 360 mm | 460 mm | 600 mm | 470 mm | 800 mm |
| X-PRESS 420 | 530 mm | Min 100 mm | | | 100 mm (standard) | 465 mm | 600 mm | 420 mm | 520 mm | 700 mm | 430 mm | 1000 mm |
| X-PRESS 500 | 530 mm | Min 100 mm | | | 100 mm (standard) | 535 mm | 640 mm | 500 mm | 600 mm | 740 mm | 610 mm | 1000 mm |

A & G varies

Offered in Australia and New Zealand by:



13-15 Aylesbury Street, Botany NSW 2019 Australia
(t): +61 (02) 9695 1911 www.vor-env.com